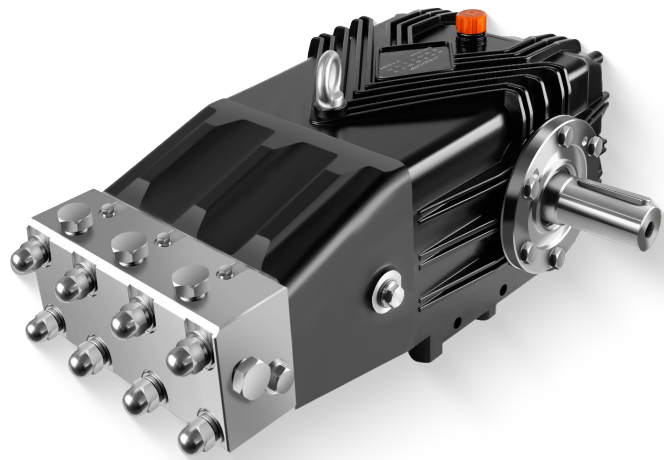


FEH Series

STAINLESS STEEL PUMP



Sold Shaft $\varnothing 40\text{mm}$

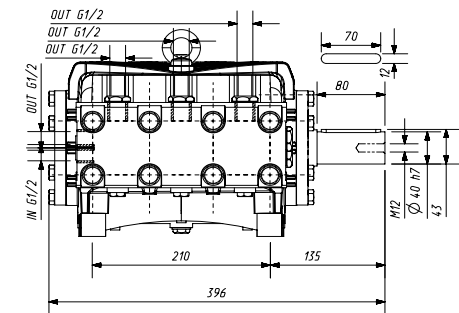
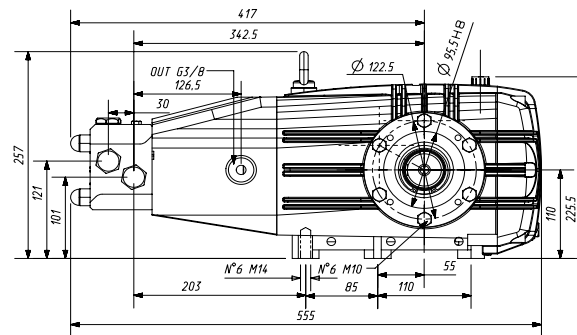
FEATURES

- High-strength stainless-steel pump head provides structural strength and corrosion resistance.
- Forged crankshaft with surface nitriding improves strength and wear resistance.
- The connecting rod is made of a Zn-Cu alloy, improving wear resistance and helping reduce operating noise.
- Tapered roller bearings improve load capability and durability.
- High-strength stainless-steel plungers with wear-resistant coating provide extended service life.

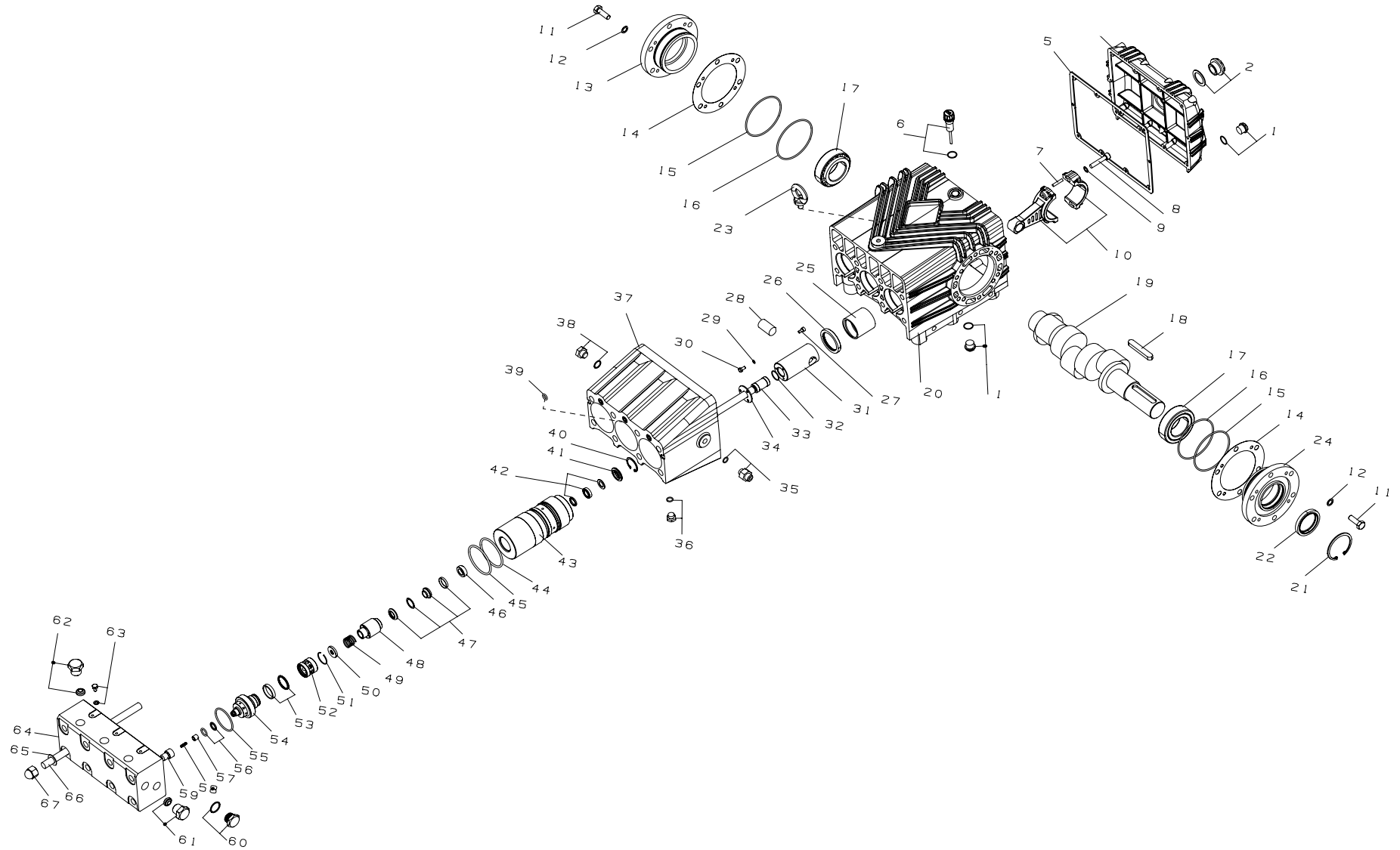
SPECIFICATIONS

Pump Model	FEH 20100	FEH 20120	FEH 25100	FEH 2580
Flow Rate (L/min)	20	20	25	25
Pressure (bar)	1000	1200	1000	800
Power (kw)	38.5	46.2	48.1	38.5
RPM	1000	1000	1000	1000
Shaft Diameter (mm)	40			
Plunger Stroke (mm)	45			
Plunger Diameter (mm)	14	14	16	16
Oil Capacity (ml)	3450			
Inlet Thread	G 1/2			
Outlet Thread	G 1/2			
Weight (kg)	65.5			
Dimensions (mm)	222x396x226			

DIMENSIONS(mm)



EXPLODED VIEW



COMPONENTS

ITEM	PART NO.	Name	QTY	ITEM	PART NO.	Name	QTY	ITEM	PART NO.	Name	QTY
1	7.400-011	Plug	2	24	7.906-060.1	Side Cover	1	46	7.906-042.2	Packing Support Ring	3
2	7.906-160	Oil Sight Glass	1	25	7.906-062	Crankcase Copper Sleeve	3	47	7.906-052.1	Packing	3
3	7.301-013	Rear Cover Screw	10	26	7.906-051.2	Crankcase Oil Seal	3	48	7.906-040.6	Guide Seat	3
4	7.906-011.3	Rear Cover	1	27	7.301-045	Plunger Rod Screw	6	49	7.906-142	Suction Valve Spring	3
5	7.906-010.2	Rear Cover Oil Gasket	1	28	7.906-033.3	Plunger Rod Pin	3	50	7.906-065	Suction Valve	3
6	7.903-035	Dipstick	1	29	7.301-033	Plunger Rod Screw Washer	9	51	7.906-141	Suction Valve Circlip	3
7	7.301-014	Connecting Rod Pin	6	30	7.301-045	Plunger Rod Screw	9	52	7.906-065.1	Suction Valve Seat	3
8	7.301-020	Connecting Rod Screw	6	31	7.906-002.5	Plunger Rod	3	53	7.906-052.3	Suction Valve Seal	3
9	7.301-031	Connecting Rod Screw Washer	6	32	7.906-049.8	Plunger Seal	3	54	7.906-065.2	Valve Seat	3
10	7.906-001.2	Copper Connecting Rod	3	33	7.906-063	Plunger	3	55	7.906-049.6	Pump Head Seal	3
11	7.301-015	End Cap Screw	12	34	7.906-063.1	Plunger Gland	3	56	7.906-052.2	Discharge Valve Seal	3
12	7.906-145	End Cover Screw Washer	12	35	7.300-022	Return Water Fitting	1	57	7.906-066	Discharge Valve	3
13	7.906-060	Side Cover	1	36	7.400-001	Transition Plate Lower Plug	3	58	7.906-143	Discharge Valve Spring	3
14	7.906-048	Bearing Adjustment Shim	1	37	7.906-029	Transitional Plate	1	59	7.906-066.1	Discharge Valve Seat	3
15	7.906-019.9	Bearing Seal	2	38	7.400-011	Transitional Plate Side Plug	1	60	7.400-001.2	Low Pressure Plug	1
16	7.906-019.9	Bearing Seal	2	39	7.906-005.1	Cooling Water Seal Ring	3	61	7.906-061	High Pressure Plug	1
17	7.906-014.1	Bearing	2	40	7.906-043.4	Low-Pressure Seal Circlip	3	62	7.906-061	High Pressure Plug	2
18	7.906-035.2	Parallel Key	1	41	7.906-041.4	Low-Pressure Seal Ring	3	63	7.301-011	Cooling Water Union Nut	3
19	7.906-177	Crankshaft	1	42	7.906-036	Low-Pressure Water Seal	3	64	7.906-032.1	Stainless Steel Pump Head	1
20	7.906-011.3	Crankcase	1	43	7.906-064	Packing Cylinder	3	65	7.301-030	Flat Washer	8
21	7.906-043.1	Shaft Retaining Ring	1	44	7.906-049.7	Packing Cylinder O-Ring	3	66	7.906-004.1	Stud	8
22	7.906-051.1	Shaft Oil Seal	1	45	7.906-049.7	Packing Cylinder O-Ring	3	67	7.301-019	Nut	8
23	7.301-016	Hanging Ring	1								

REPAIR KITS

Water Seal Kit			
Index	42	47	53
Part Number	7.906-036	7.906-052.1	7.906-052.3
Name	Low-Pressure Water Seal	Packing	Suction Valve Seal
Quantity	3	3	3

Valve Kit						
Index	50	54	56	57	58	59
Part Number	7.906-065	7.906-065.2	7.906-052.2	7.906-066	7.906-143	7.906-066.1
Name	Suction Valve	Valve Seat	Discharge Valve Seal	Discharge Valve	Discharge Valve Spring	Discharge Valve Seat
Quantity	3	3	3	3	3	3

Oil Seal Kit		
Index	22	26
Part Number	7.906-051.1	7.906-051.2
Name	Shaft Oil Seal	Crankcase Oil Seal
Quantity	1	3

Plunger Kit					
Index	33	39	44	45	55
Part Number	7.906-063	7.906-005.1	7.906-049.7	7.906-049.7	7.906-049.6
Name	Plunger	Cooling Water Seal Ring	Packing Cylinder O-Ring	Packing Cylinder O-Ring	Pump Head Seal
Quantity	3	3	3	3	3